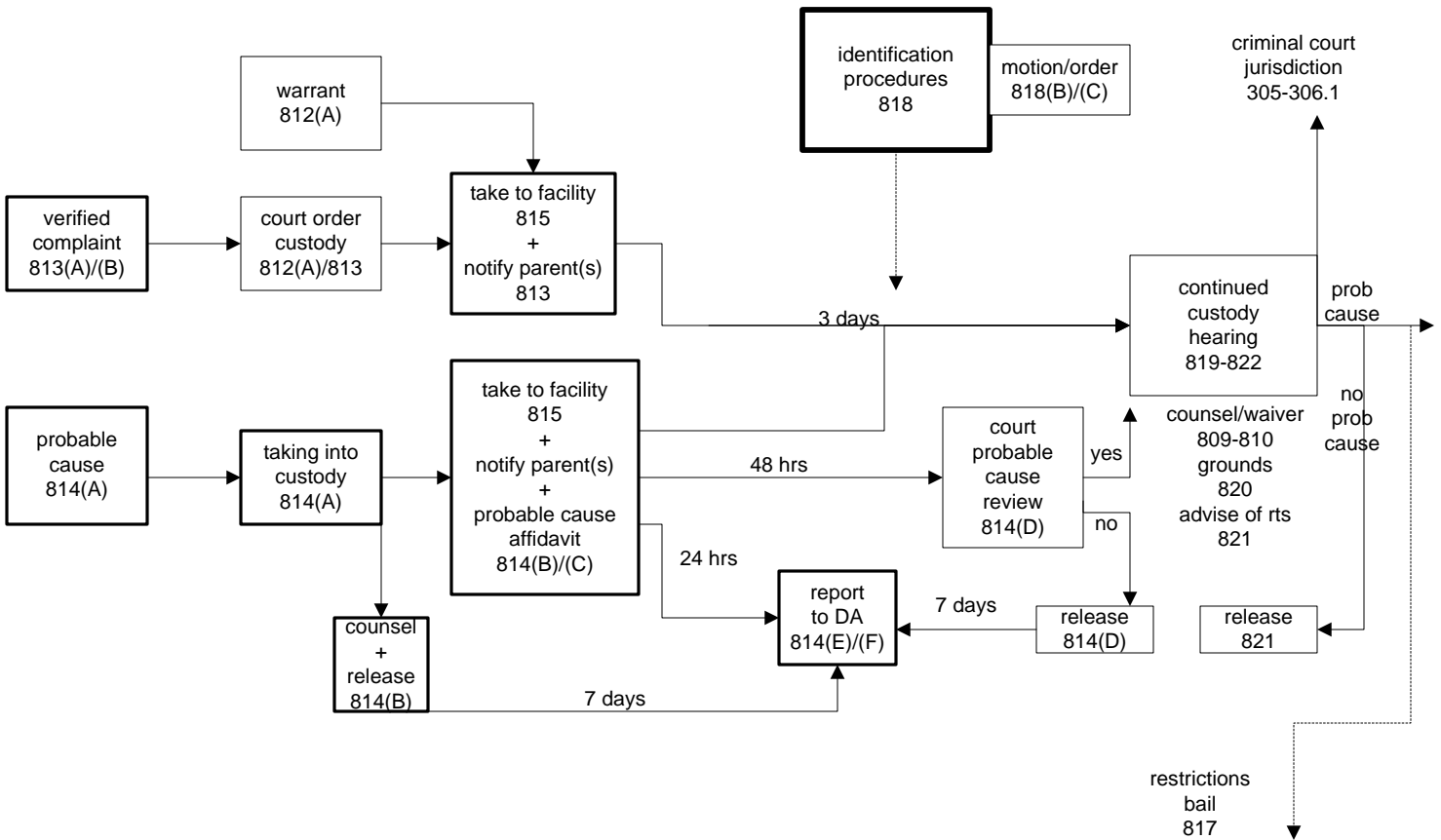


Delinquency Process

Purpose
801

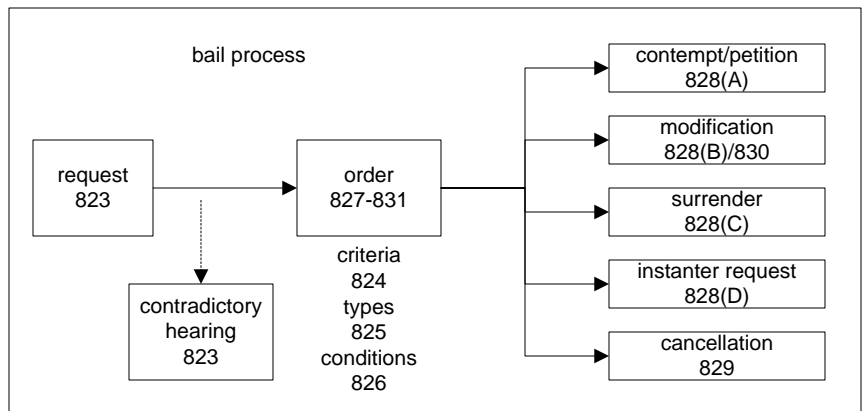
- accord due process to accused delinquency
- insure care/guidance/control conducive to welfare and best interests of state
- secure care equivalent to that which parents should have provided

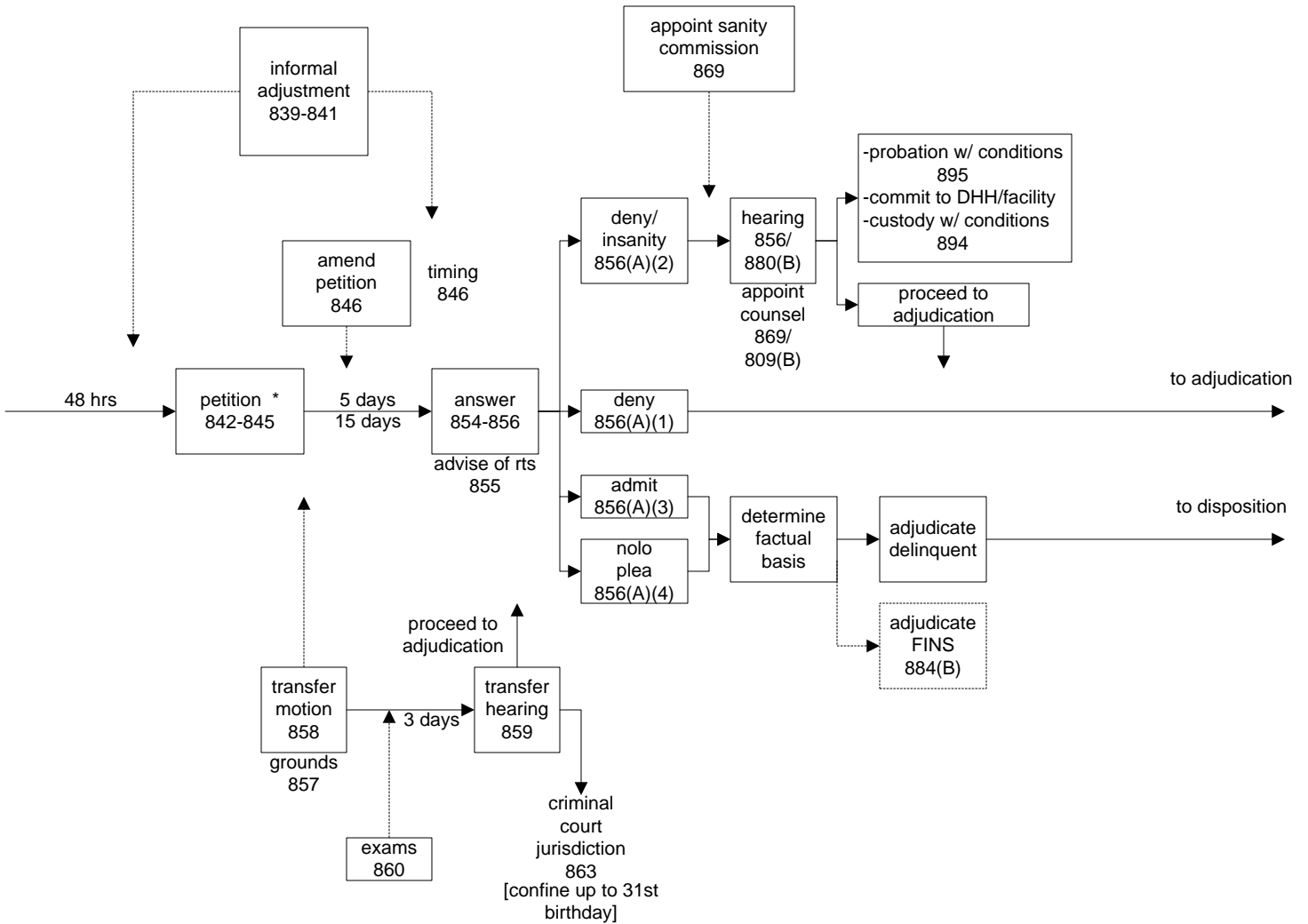
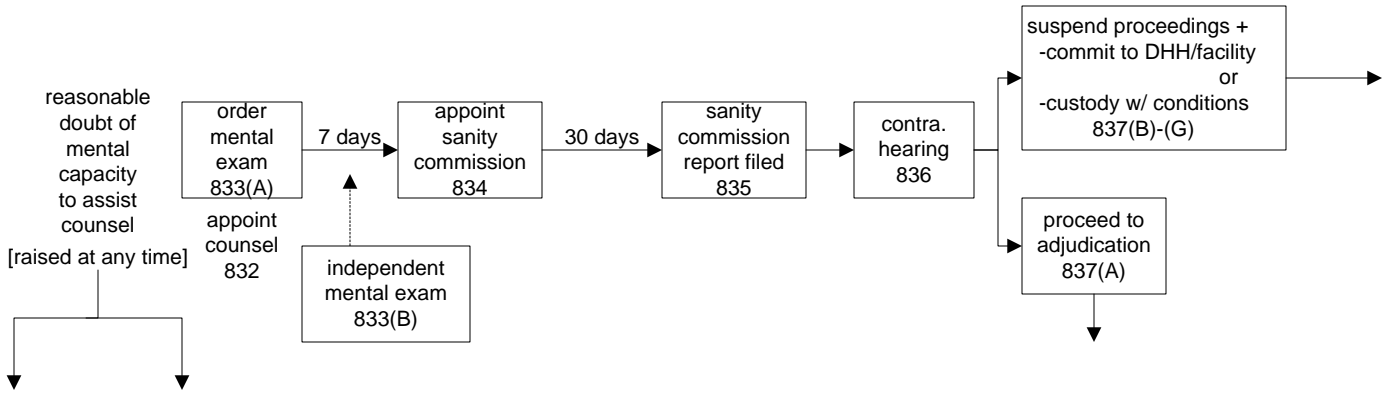


KEY

police process

court process





* service of process
849-853

